

Sheet Metal Tool Box

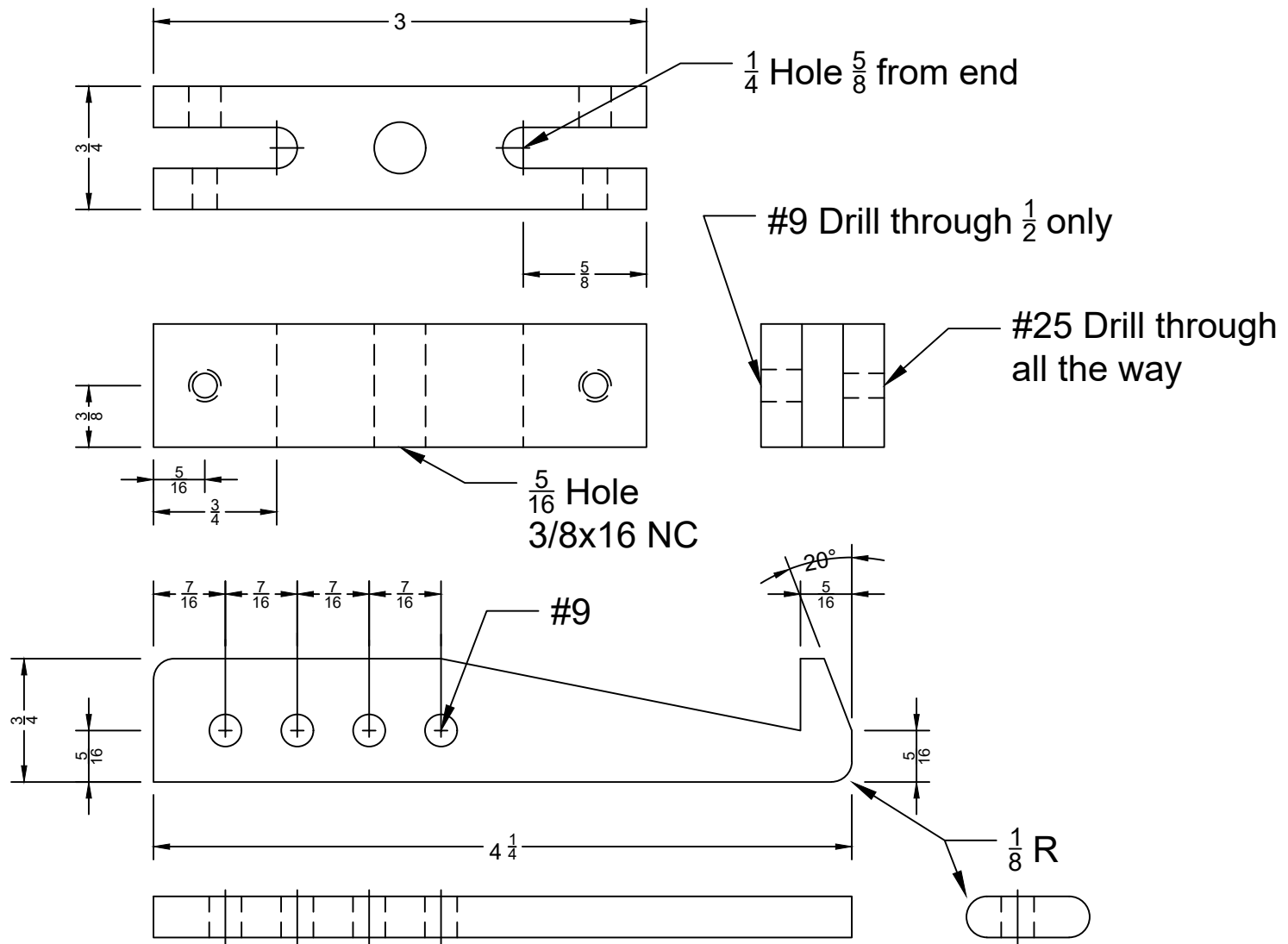
Red River College

Daniel Strang

1:5

25/10/2020

1/1



Bearing Puller

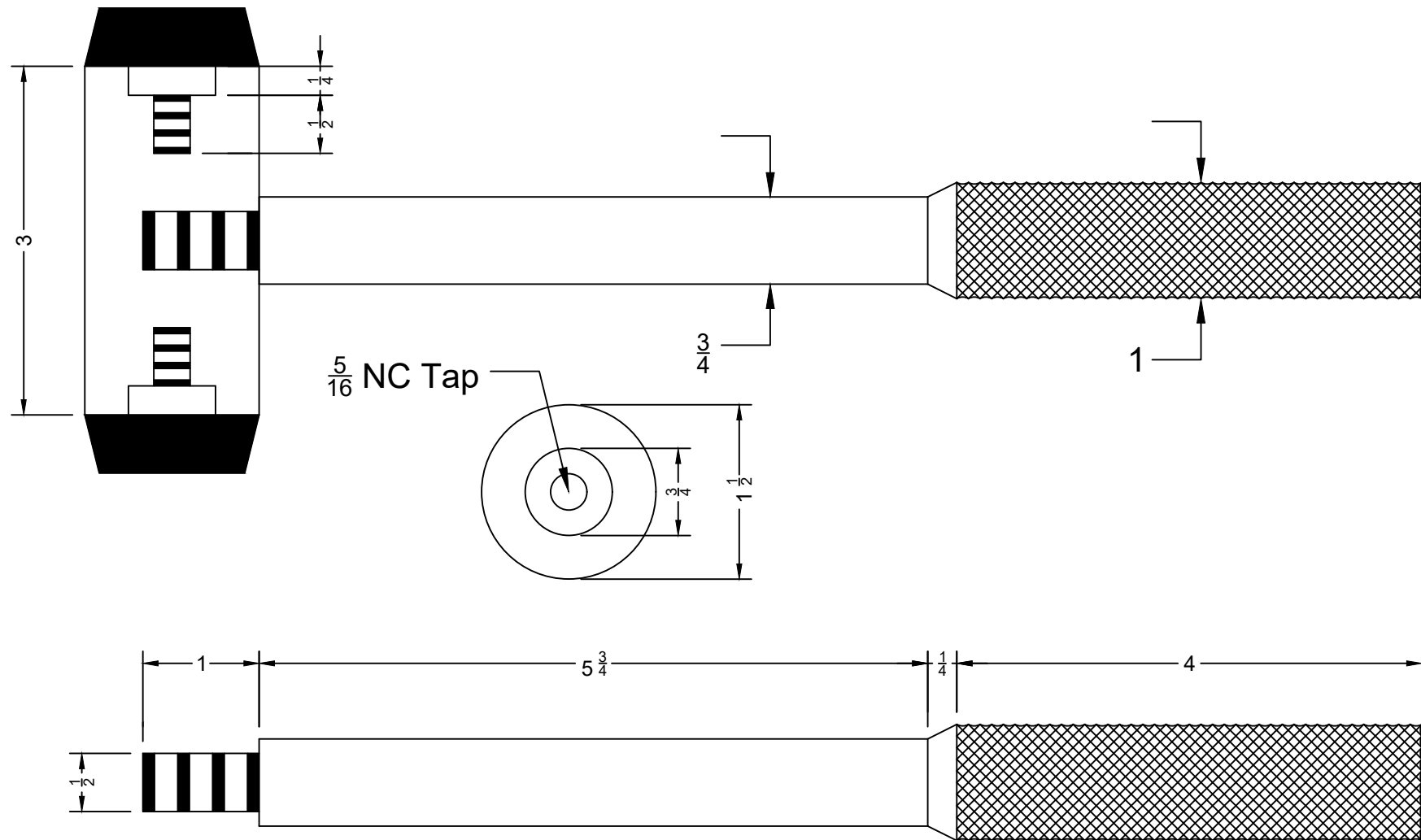
Red River College

Daniel Strang

1:1

29/10/2020

1/1



Lathe Turned Hammer

Red River College

Daniel Strang

0.75:1

29/10/2020

1/1